

THE PERFECT HOP-UP FOR ERECTING SCAFFOLDING

SPECIALLY DESIGNED TO IMPROVE SAFETY WHEN ERECTING SCAFFOLDING...

- + A safe way to access guardrails on the next lift of scaffolding whilst safely contained within the existing scaffold structure
- + Meets the requirements of NASC code of practice
- + Manufactured using Class 1 Ladder section with a 175kg maximum load
- + Folds flat for easy transportation.

EssGee STEP 1 - HEAVY DUTY & HEIGHT ADJUSTABLE...

- + Wide platform easily adjusted to suit "Tube and Fit" or system scaffolds
- + Innovative height adjustable design
- + Easy to use gravity assisted locking catch.

EssGee STEP 2 - LIGHTWEIGHT & FIXED HEIGHT...

- + Lightweight design, fixed at one height.

BRITISH DESIGN FOR MAXIMUM SAFETY, COMFORT & DURABILITY...

- + Heavy duty 35mm serrated D-rungs with **4-way crimp & swage** design for maximum durability and comfort when climbing
- + 10 Year Manufacturer's Warranty.



**WHY LFI?
MY WORK.
MY SAFETY.
MY LADDER.**

KNOW YOUR LADDER

ESSGEE STEP #1

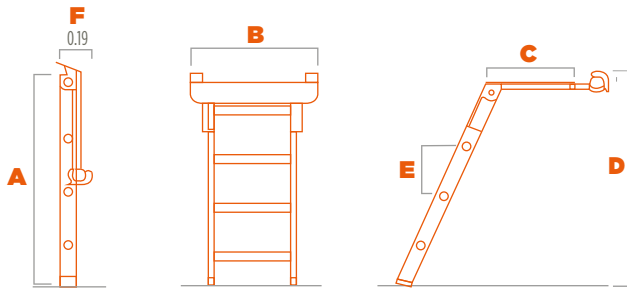


SPECIFICATION

Side View Closed

Front View

Side View Open



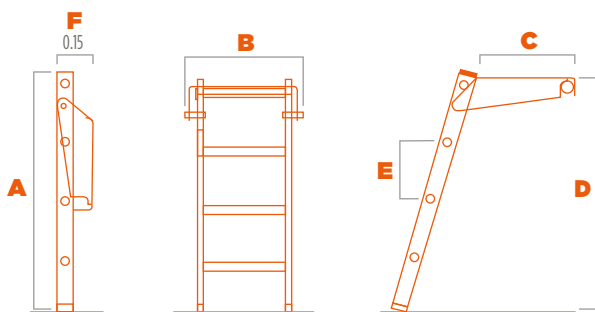
Product SKU	Rungs (inc platform)	A Closed Length	B Width	C Depth	D Max Standing Height	Weight (kg)
M6SS01	5	1.1	0.56	0.37	1.01-1.06	7.9

ESSGEE STEP #2

Side View Closed

Front View

Side View Open



Product SKU	Rungs (inc platform)	A Closed Length	B Width	C Depth	D Max Standing Height	Weight (kg)
M6SS02	4	1.0	0.46	0.39	0.98	5.0

OTHER DIMENSIONS

E
Rung Pitch
0.25

ALL DIMENSIONS IN METRES

Have an enquiry?

Call us on 01531 820541 or email info@lfi-ladders.co.uk

britishladders.co.uk

